

PI3EQX7841/PI3EQX7502AI/PI3EQX7741/PI3EQX7742/PI3EQX501/PI3EQX502 USB3.0 re-driver debug App Note

By YT Tso and Anne Wu

- Introduce:**

Use simple way to check USB3.0 re-driver function is work or not.

For PI3EQX7741, PI3EQX7742, PI3EQX7841, PI3EQX7502, PI3EQX501, PI3EQX502 debug purpose.

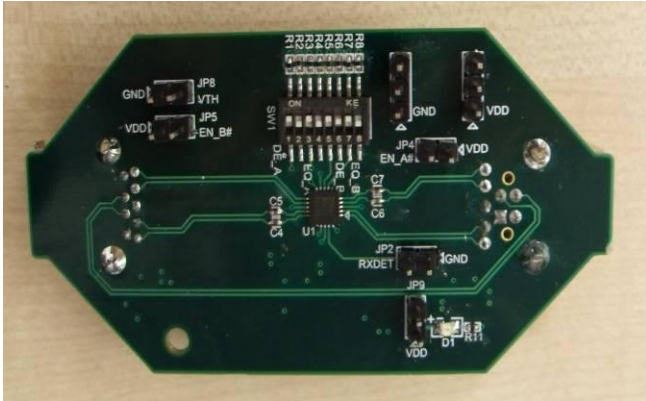


Figure 1(a) top view of PI3EQX7741ST EVB



Figure 1(b) top view of PI3EQX7502(I) EVB

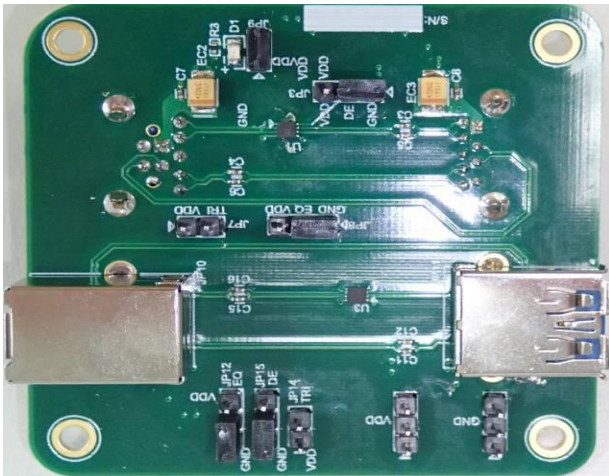


Figure 1(c) Top view of PI3EQX501(I) EVB

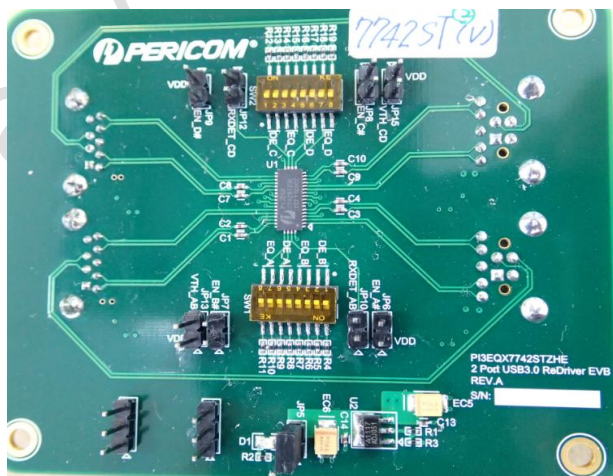


Figure 1(d) Top view of PI3EQX7742ST EVB

- **Check re-driver function workable:**

Please check the redriver function as below block diagram first , before start to fine tune the equalizer and De-emphasis setting.

Step1. Remove AC coupling capacitor as below

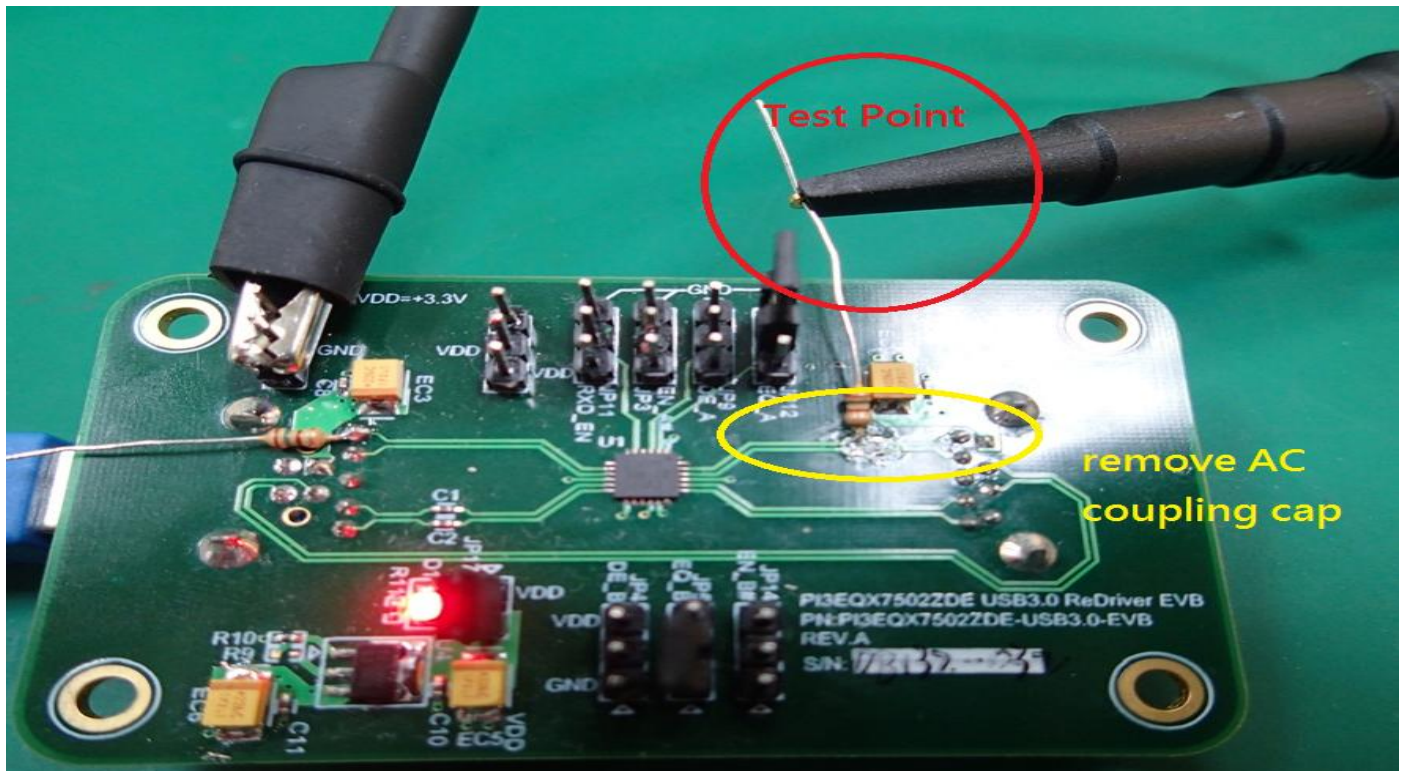
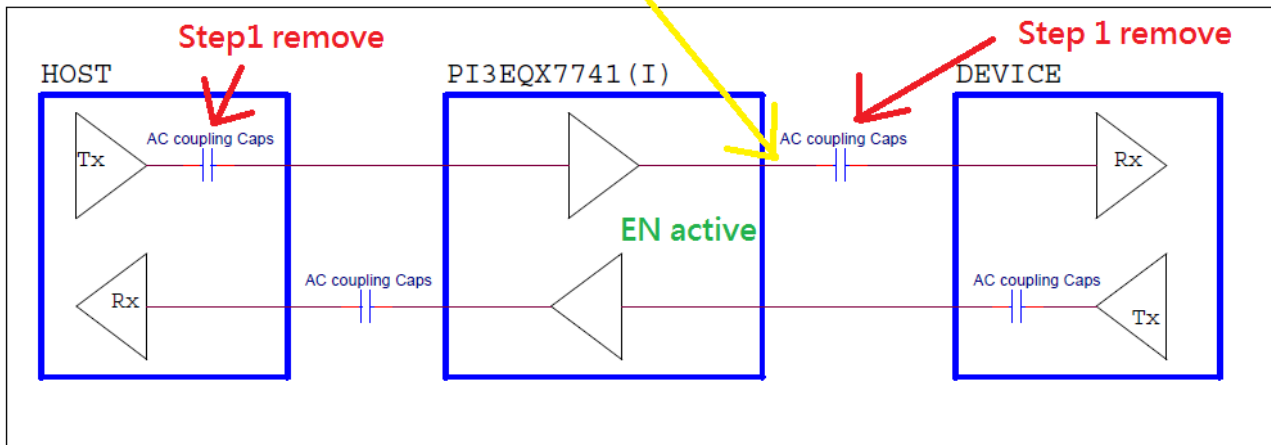
Step2. Measurement the place in redriver output, then you can see the detection pulse without connecting device

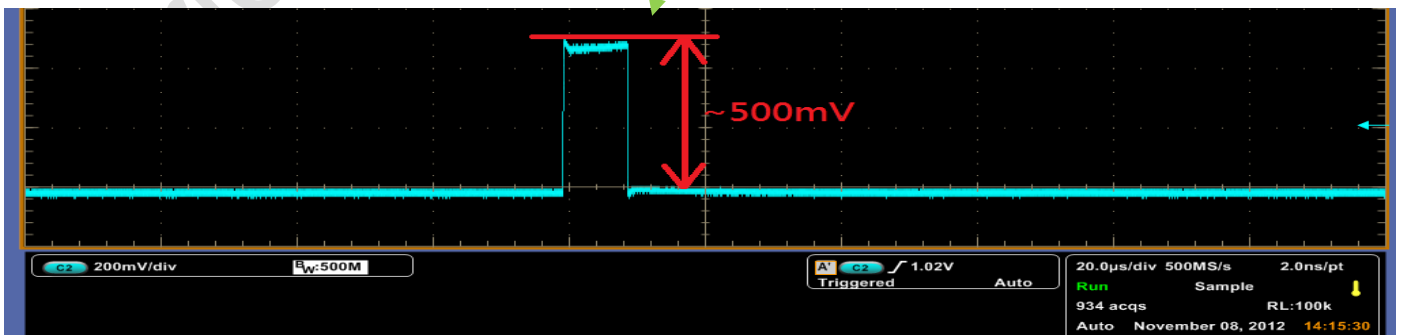
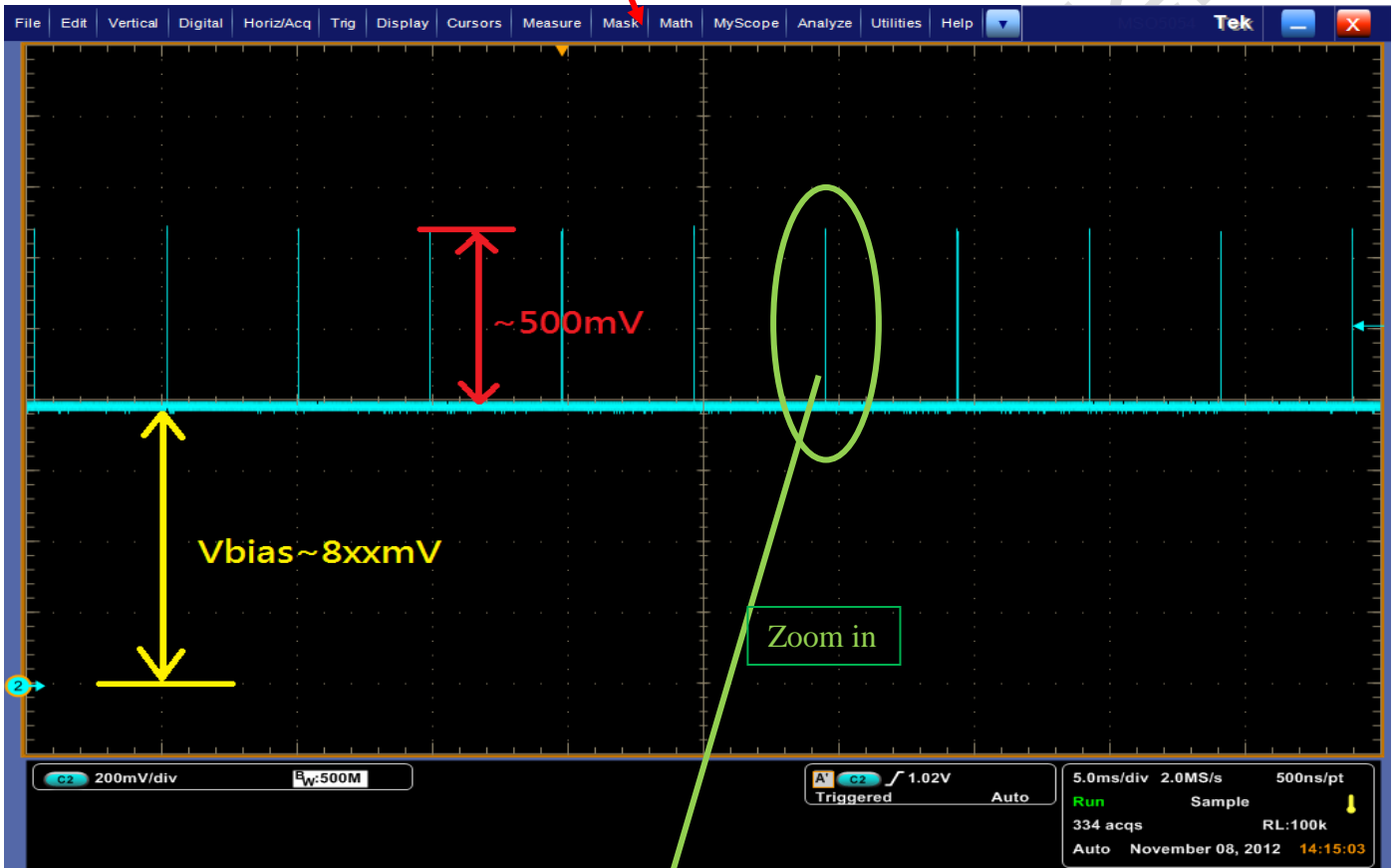
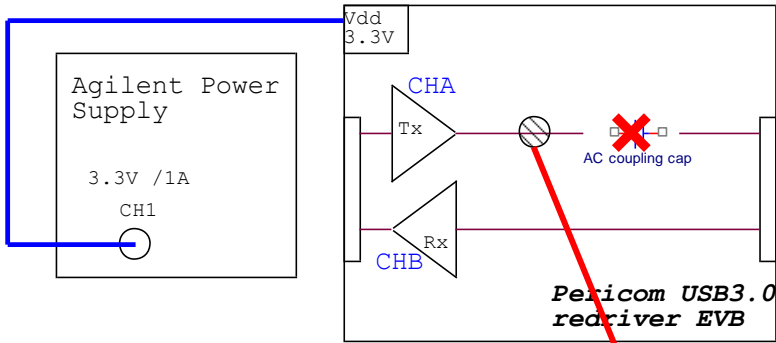
How to know re-driver is working

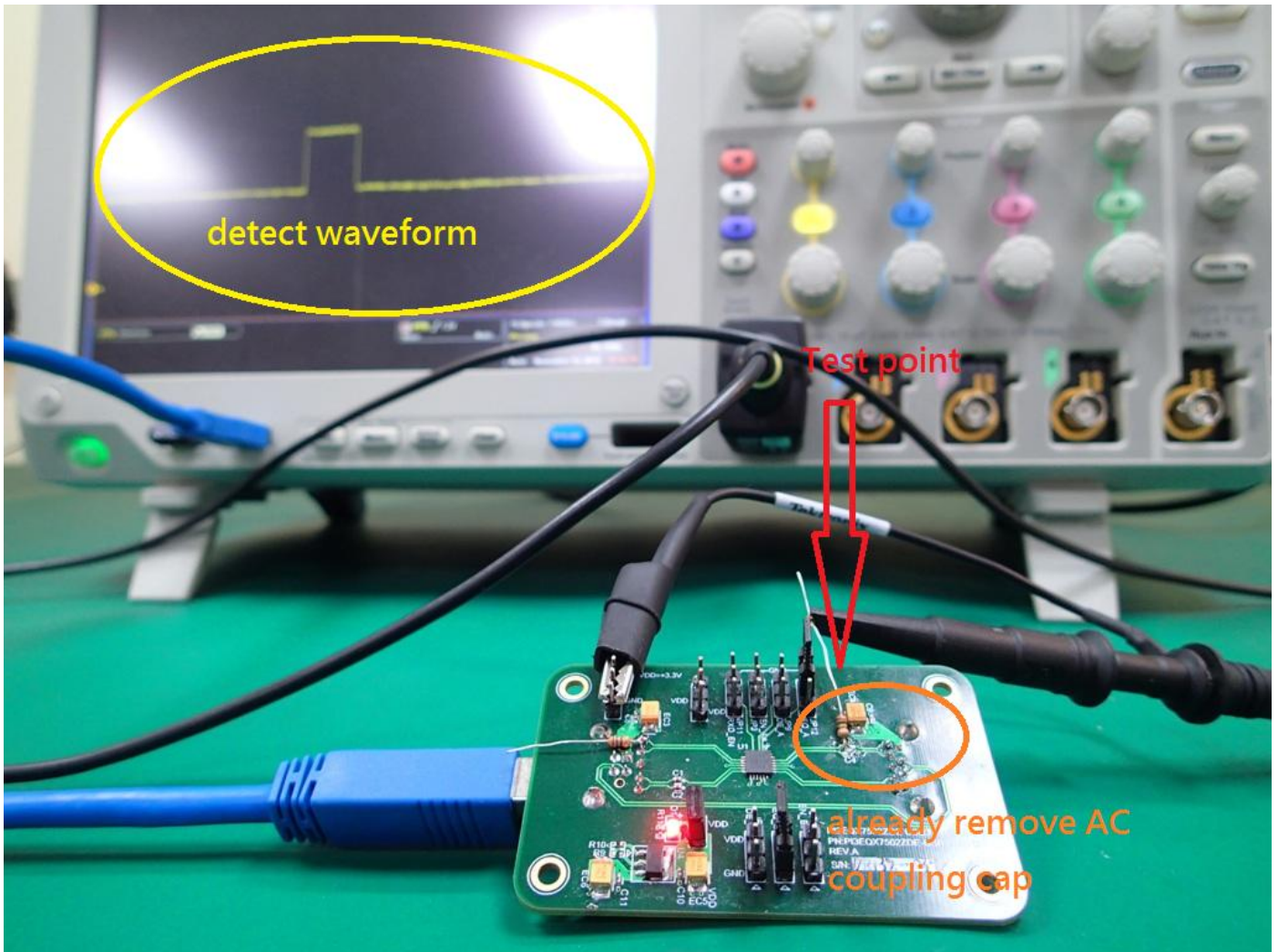


Check can see 500mV CLK, means correct

Block Diagram







Pericom Confidential